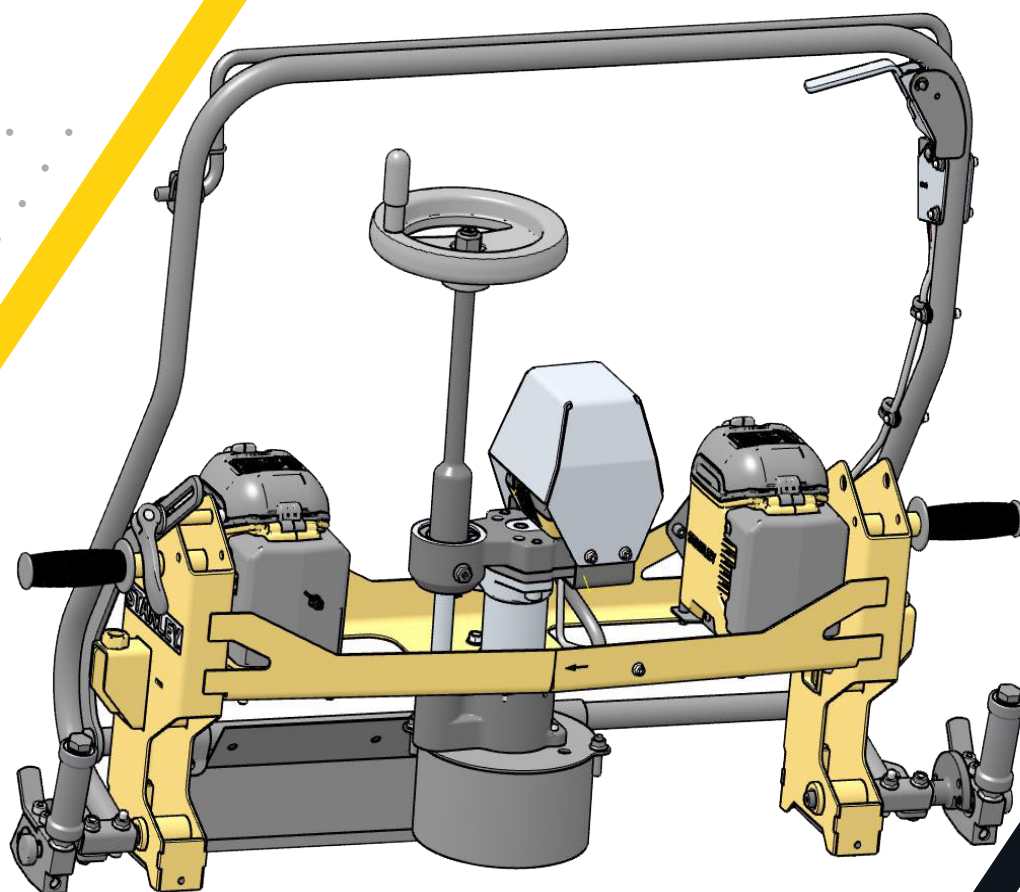


STANLEY®

OPERATOR'S MANUAL



Cordless

PROFILE GRINDER PG60

UK
CA CE

Original Instructions



Manual Number: 88884

Date: October 2025

Rev. 5



**THIS PAGE
IS INTENTIONALLY
BLANK**

Table of Contents



PREFACE	5
SAFETY STATEMENTS	6
GENERAL SAFETY PRECAUTIONS	6
DECALS	16
General Information.....	16
NOMENCLATURE	18
INSTALLATION	19
General Information.....	19
Charge Batteries	19
OPERATION	21
Noise Emission Data	21
Vibrations Emission Data	21
General Information.....	22
Intended Use.....	22
Preparation Procedure	22
Shaft Lock Operation	23
Installing The Grinding Wheel	23
Removing The Grinding Wheel	24
Insert the Batteries.....	24
Roller Guide Adjustments for Grinding Operations	24
Tilt Feature.....	26
Grinding Wheel Height Adjustment	27
Hand Wheel Tension Adjustment	27
Operating Procedure	28
Recharge the Batteries.....	28
Operating Tips	29
Storage.....	29
Removal From Storage	30
Transporting.....	30
MAINTENANCE	32
TROUBLESHOOTING	33
TOOL DISPOSAL	34
SPECIFICATIONS	35
ACCESSORIES	36
Batteries, Chargers & Other Accessories.....	36
WARRANTY	37
SALES, SERVICE, & SUPPORT RESOURCES	37
DECLARATION OF CONFORMITY	38



**THIS PAGE
IS INTENTIONALLY
BLANK**

Preface



General Comments

Congratulations on the purchase of your new product! This product was carefully designed and manufactured to give you many years of dependable service. Only minor maintenance (such as cleaning and lubricating) is required to keep it in top working condition. Be sure to observe all maintenance procedures and safety precautions in this manual and on any safety decals located on the product and on any equipment on which the product is used with.

This manual has been designed to help you do a better, safer job. Read this manual carefully and become familiar with its contents.



WARNING!

Never let anyone operate this unit without reading the “Safety Precautions” and “Operating Instructions” sections of this manual.

Unless noted otherwise, right and left sides are determined from the operator’s control position when facing forward.

IMPORTANT

The illustrations and data used in this manual were current (according to the information available to us) at the time of printing, however, we reserve the right to redesign and change the product as may be necessary without notification.

Before Operation

The primary responsibility for safety with this equipment falls to the operator. Make sure the equipment is operated only by trained individuals that have read and understand this manual. If there is any portion of this manual or function you do not understand, contact your local authorized dealer or the manufacturer to obtain further assistance. Keep this manual available for reference. Provide the manual to any new owners and/or operators.



Safety Alert Symbol

This is the “Safety Alert Symbol” used by this industry. This symbol is used to warn of possible injury. Be sure to read all warnings carefully. They are included for your safety and for the safety of others working with you.

Service

Use only manufacturer replacement parts. Substitute parts may not meet the required standards.

Record the model and serial number of your unit on the cover of this manual. The parts department needs this information to insure that you receive the correct parts.

Sound And Vibration

Sound pressure levels and vibration data for this attachment are influenced by many different parameters: some items are listed below (not inclusive):

- ▶ prime mover type, age, condition, with or without cab enclosure and configuration
- ▶ operator training, behavior, stress level
- ▶ job site organization, working material condition, environment

Based on the uncertainty of the prime mover, operator, and job site, it is not possible to get precise machine and operator sound pressure levels or vibration levels for this attachment.

Safety Statements



THIS SYMBOL BY ITSELF OR WITH A WARNING WORD THROUGHOUT THIS MANUAL IS USED TO CALL YOUR ATTENTION TO INSTRUCTIONS INVOLVING YOUR PERSONAL SAFETY OR THE SAFETY OF OTHERS. FAILURE TO FOLLOW THESE INSTRUCTIONS CAN RESULT IN INJURY OR DEATH.



DANGER!

INDICATES A HAZARDOUS SITUATION WHICH, IF NOT AVOIDED, WILL RESULT IN DEATH OR SERIOUS INJURY



WARNING!

INDICATES A HAZARDOUS SITUATION WHICH, IF NOT AVOIDED, COULD RESULT IN DEATH OR SERIOUS INJURY



CAUTION!

INDICATES A HAZARDOUS SITUATION WHICH, IF NOT AVOIDED, COULD RESULT IN MINOR OR MODERATE INJURY

NOTICE

NOTICE IS USED TO ADDRESS PRACTICES NOT RELATED TO PHYSICAL INJURY.

General Safety Precautions



WARNING!



READ AND UNDERSTAND MANUAL

- ▶ Read and understand this manual and other safety information provided with this equipment. Be sure all controls and instructions are understood before attempting to install, operate or maintain this equipment.
- ▶ Read and follow all safety warnings and instructions.
- ▶ Do not discard safety instructions. Give to the operator.
- ▶ Improper installation, operation or maintenance of this equipment could result in serious injury, death or property damage.

READ AND UNDERSTAND ALL SAFETY STATEMENTS

- ▶ Read all safety statements in this manual and on your equipment safety decals.
- ▶ Keep safety decals in good condition. Replace missing or damaged safety decals.
- ▶ Because the manufacturer cannot foresee all hazardous circumstances, the precautions listed in this manual and on the equipment are not all-inclusive. If a procedure, method, tool or part is not specifically recommended by the manufacturer, determine whether it is safe for you and others, and that the equipment will not be damaged or made unsafe as a result of your decision to implement it.

PERSONAL PROTECTIVE EQUIPMENT (PPE)

- ▶ Always wear personal protective equipment (PPE) appropriate for the job, such as eye protection, ear protection, gloves, head protection, breathing protection and safety shoes. PPE should be worn at all times when operating, maintaining or observing the tool.
- ▶ Use PPE that conforms to standards ANSI Z87.1 (Eye and Face Protection), ANSI Z89.1 (Head Protection), ANSI Z41.1 (Foot Protection) and ANSI S12.6 (S3.19) (Hearing Protection).
- ▶ Do not wear loose fitting clothing, jewelry, long hair or gloves with cut or frayed fingers. These items can become entangled in the equipment causing hazards such as choking, scalping, lacerations, severed or broken appendages.



M003
Wear Ear
Protection



M004
Wear Eye
Protection



M016
Wear a Mask

KNOW YOUR EQUIPMENT

- ▶ Know your equipment's capabilities, dimensions and controls before operating.
- ▶ Do not operate a damaged, improperly adjusted, modified or incompletely assembled tool.
- ▶ Make sure all safety guards and devices are installed.
- ▶ Check all hardware to ensure it is tight.
- ▶ Make certain that all locking pins, latches and connection devices are properly installed and secured.
- ▶ Remove and replace any damaged, fatigued, or excessively worn parts.
- ▶ Inspect the tool before each use and ensure all safety decals are in place and legible. Contact manufacturer if replacement decals are needed.
- ▶ Know and follow good work practices when assembling, maintaining, repairing, mounting, removing or operating this equipment.

PROTECT AGAINST FLYING DEBRIS

- ▶ Always wear proper safety glasses, goggles or a face shield when driving pins in or out, or when any operation causes dust, flying debris or any other hazardous material.

SAFELY OPERATE EQUIPMENT

- ▶ Establish a training program for all operators to ensure safe operation.
- ▶ Do not operate the tool or attachment unless thoroughly trained or under the supervision of a qualified operator or instructor.
- ▶ Know and obey all OSHA regulations, local laws, and other professional guidelines for your operation.
- ▶ Know your work site safety rules. When in doubt on any safety issue, contact your supervisor or safety coordinator.
- ▶ Assess risks to yourself and others around you before operating the tool. Start in a work area without bystanders and assess the risks to bystanders including, but not limited to, the risk of serious injury or death caused by the tool or accessories dropped from an elevated height.
- ▶ Do not operate the equipment from anywhere other than the correct operator's position.

General Safety

Precautions



- ▶ Do not alter or remove any safety feature from the prime mover or tool.
- ▶ Stay alert, watch what you are doing and use common sense when operating the tool. Do not operate the tool if you are tired or under the influence of drugs, alcohol or medication. A moment of inattention while operating the tool may result in serious injury.

CALIFORNIA PROPOSITION 65 WARNING

- ▶ This product may contain a chemical known to the State of California to cause cancer, or birth defects or other reproductive harm. www.P65Warnings.ca.gov

DUST AND FUMES

- ▶ **WARNING:** Dust created by power sanding, sawing, grinding, drilling, and other job site activities may contain chemicals known to the State of California to cause cancer, birth defects or other reproductive harm. Some examples of these chemicals are:


- Lead from lead-based paints
- Crystalline silica from bricks, cement and other masonry products
- Arsenic and chromium from chemically-treated lumber

- ▶ To reduce your exposure to these chemicals: work in a well ventilated area and work with approved safety equipment, such as dust masks that are specially designed to filter out microscopic particles. Protect yourself and those around you.
- ▶ Research and understand materials you are working with.
- ▶ Follow correct safety procedures and comply with all applicable national, state or provisional health and safety regulations relating to them, including, if appropriate, arranging for the safe disposal of the materials by a qualified person.
- ▶ Use dust suppression or dust collection methods when using a tool that may cause high levels of dust.
 - Control dust or fumes at the point of emission.
 - Direct tool exhaust to minimize disturbance of dust.
 - Operate and maintain the tool as recommended in this manual to minimize dust.
 - Use respiratory protection in accordance with employers instruction or as required by occupational health and safety regulations.
 - Avoid prolonged contact with dust. Allowing dust to get into your mouth, eyes or on the skin may promote absorption of harmful chemicals.



SAFELY MAINTAIN AND REPAIR EQUIPMENT

- ▶ Keep the work area well lit.
- ▶ Work on a level surface.
- ▶ Use properly grounded electrical outlets and tools.
- ▶ Use the correct tools for the job at hand.
- ▶ Ensure tools are working properly and safely by performing preventative maintenance procedures.

- 
- ▶ Wear protective equipment specified by the tool manufacturer.
 - ▶ Do not perform any work on the tool unless you are authorized and qualified to do so. Always read the operator service manuals before any repair is made. After completing maintenance or repair, check for correct functioning of the tool. If not functioning properly, shut down the machine, follow proper Lock-Out / Tag-Out procedures and tag “DO NOT OPERATE” until all problems are corrected.

DO NOT MISUSE OR MODIFY EQUIPMENT

- ▶ Use and maintain the tool as stated in this manual. Misuse of the tool can cause serious injury.
- ▶ Do not modify the tool in any way. Modifications may weaken it’s integrity and may impair it’s function, safety, life and performance. When making repairs use only factory recommended replacement parts, following authorized instructions. Use of parts that are not factory approved may be substandard in fit and quality, and may cause damage and void the warranty.

END OF LIFE DISPOSAL

- ▶ At the completion of the useful life of the unit, drain all fluids and dismantle by separating the different materials (rubber, steel, plastic, etc.). Follow all federal, state and local regulations for recycling and disposal of the fluid and components.

Equipment Safety

Precautions



WARNING!

READ THE RAIL GRINDER MANUAL




- ▶ **WARNING:** Read all safety warnings and instructions. Failure to follow warnings and instructions may result in tool damage and/or serious injury.
- ▶ Always observe safety symbols. They are included for your safety and for the protection of the tool.
- ▶ **WARNING:** To reduce the risk of injury, read the instruction manual.
- ▶ This tool will provide dependable service if operated in accordance with the instructions given in this manual. Read and understand this manual and any stickers and tags attached to the tool and hoses before operation. Failure to do so could result in personal injury or equipment damage.

REQUIREMENTS FOR OPERATORS

- ▶ Establish a training program for all operators to ensure safe operation. Do not operate the tool unless thoroughly trained or under the supervision of an instructor. Keep out of the reach of children.
- ▶ Operators and maintenance personnel shall be able to physically handle the bulk, weight and power of the tool.
- ▶ Avoid unsuitable postures as these positions do not allow for counteracting of normal or unexpected movement of the tool. Change postures during extended tasks to help avoid discomfort or fatigue.
- ▶ Supervising personnel should develop additional precautions relating to the specific work area and local safety regulations.
- ▶ Operators must be familiar with all prohibited work areas such as excessive slopes and dangerous terrain conditions.

OPERATION

- ▶ Do not operate the tool in explosive atmospheres, such as in the presence of flammable liquids, gases or dust. Power tools create sparks which may ignite the dust or fumes.
- ▶ Do not inspect, carry, clean, change accessories or perform maintenance on the tool while the power source is connected. Accidental engagement of the tool can cause serious injury.
- ▶ Ensure work piece is securely fixed. Be aware that failure of the work piece or accessories may generate high velocity projectiles.
- ▶ During operation, do not contact mechanisms, accessories or hardware as they can become very hot; use your Personal Protection Equipment (PPE).
- ▶ Do not overreach. Maintain proper footing and balance at all times when using the tool. Do not start grinding until the work area is clear and you have secure footing.
- ▶ Slips, trips and falls are major causes of workplace injury. Be observant of hoses and other objects or oily surfaces lying about the work area, as they can be a tripping hazard.
- ▶ Only use clean fluids and lubricants that have been recommended by STANLEY.

- 
- ▶ Do not force the tool to do the work of a larger tool. Use the correct tool for your application.
 - ▶ Keep hands away from rotating parts. Rotating parts can easily entangle rubber-coated gloves or metal reinforced gloves.
 - ▶ Do not use in confined spaces. Beware of crushing hazards between the tool and the workpiece.
 - ▶ Prevent unintentional starting. Ensure the trigger is in the off position before connecting to power source, picking up or carrying the tool. Carrying power tools with your finger on the trigger or energizing power tools that have the trigger on invites accidents.
 - ▶ In spite of the application of relevant safety regulations and the implementation of safety devices, certain residual risks cannot be avoided. These risks are: repetitive strain injury due to incorrect posture and risk of pinching fingers when pulling the tool trigger.
 - ▶ Select and replace grinding wheel as recommended in order to prevent an unnecessary increase in dust or fumes.
 - ▶ Keep tool handles dry, clean and free from oil and grease. This will enable better control of the tool.
 - ▶ Do not grind on vessels containing combustible substances.
 - ▶ Ensure the grinding wheel is stopped when setting down the tool. Never transport or store the tool with a grinding wheel installed.
 - ▶ Ensure that the abrasive wheel is properly clamped before each use. Follow all instructions.
 - ▶ Keep all body parts away from rotating components of the tool.
 - ▶ Do not start the tool if the grinding wheel is touching a surface.
 - ▶ Repair and service of this tool must only be performed by an authorized STANLEY service center.

PERSONAL PROTECTIVE EQUIPMENT (PPE)

- ▶ Always wear personal protective equipment (PPE) appropriate for the job, such as eye protection, ear protection, gloves, head protection, breathing protection and safety shoes.
- ▶ Hands may be exposed to hazards, impacts, cuts, abrasions and heat. Wear gloves.
- ▶ Wear a hardhat if performing overhead work.
- ▶ Do not wear loose fitting clothing, jewelry or gloves with cut or frayed fingers when operating the tool. Entanglement, choking, scalping and laceration can occur if loose clothing, personal jewelry, neck wear, hair or gloves are not kept away from the rotating tool and it's accessories. Gloves can become entangled with the rotation drive, causing severed or broken fingers.
- ▶ Grinding sparks can ignite clothing and cause severe burns. Ensure sparks do not land on clothing. Wear fire-retardant clothing and have a fire extinguisher, or a bucket of water, nearby.

SOUND

- ▶ Exposure to high noise levels can cause permanent, disabling hearing loss and other problems, such as tinnitus (ringing, buzzing, whistling or humming in the ears). Use hearing protection in accordance with employer's instructions and as required by

Equipment Safety

Precautions



occupational health and safety regulations. Appropriate controls to reduce the risk can include actions such as damping materials to prevent work pieces from “ringing”.

- ▶ Use and maintain tool as recommended in the manual to prevent an unnecessary increase in noise levels.

VIBRATION

- ▶ When using a rotary or percussive tool to perform work related activities, the operator can experience discomfort in the hands, arms, shoulders, neck or other parts of the body.
- ▶ If you experience numbness, tingling, pain or whitening of the skin in your fingers or hands, stop using the tool. Tell your employer and consult a physician.
- ▶ Wear warm clothing when working in cold conditions and keep your hands warm and dry.
- ▶ Exposure to vibration can cause disabling damage to the nerves and blood supply of the hands and arms.
- ▶ Do not allow the abrasive product to chatter on the work piece as this is likely to cause a substantial increase in vibration.
- ▶ Use and maintain tool as recommended in the manual to prevent an unnecessary increase in vibration.
- ▶ Check the vibration level after each service. If higher than normal, contact your STANLEY dealer.

BATTERY AND CHARGER

- ▶ Do not inspect, carry, clean, change accessories or perform maintenance on the tool while the battery is connected. Accidental engagement of the tool can cause serious injury.
- ▶ **WARNING:** Read all safety warnings and instructions for the battery pack, charger and power tool. Failure to follow the warnings and instructions may result in electric shock, fire and/or serious injury.
- ▶ Do not charge or use the battery pack in explosive atmospheres, such as in the presence of flammable liquids, gases or dust. Inserting or removing the battery pack from the charger may ignite the dust or fumes.
- ▶ Never force the battery pack into the charger. Do not modify the battery pack in any way to fit into a non-compatible charger as battery pack may rupture causing serious personal injury.
- ▶ Charge the battery packs only in designated provided manufacturer recommended chargers.
- ▶ Do not splash or immerse in water or other liquids.
- ▶ Do not store or use the tool and battery pack in locations where the temperature may reach or exceed 104°F (40°C) (such as outside sheds or metal buildings in summer). For best life, store battery packs in a cool, dry location.
- ▶ Do not store the battery packs in a tool with the trigger switch locked on.
- ▶ Do not bypass the trigger switch. The trigger switch must remain manually operated at all times.
- ▶ Do not incinerate the battery pack even if it is severely damaged or is completely worn

out. The battery pack can explode in a fire. Toxic fumes and materials are created when lithium-ion battery packs are burned.

- ▶ If battery contents come into contact with the skin, immediately wash area with mild soap and water. If battery liquid gets into the eye, rinse water over the open eye for 15 minutes or until irritation ceases. If medical attention is needed, the battery electrolyte is composed of a mixture of liquid organic carbonates and lithium salts.
- ▶ Contents of opened battery cells may cause respiratory irritation. Provide fresh air. If symptoms persist, seek medical attention.
- ▶ **WARNING:** Burn hazard. Battery liquid may be flammable if exposed to spark or flame.
- ▶ **WARNING:** Fire hazard. Never attempt to open the battery pack for any reason. If the battery pack case is cracked or damaged, do not insert into the charger. Do not crush, drop or damage the battery pack. Do not use a battery pack or charger that has received a sharp blow, been dropped, run over or damaged in any way (e.g., pierced with a nail, hit with a hammer, stepped on). Damaged battery packs should be returned to the service center for recycling.
- ▶ **WARNING:** Fire hazard. Do not store or carry the battery pack so that metal objects can contact exposed battery terminals. For example, do not place the battery pack in aprons, pockets, tool boxes, product kit boxes, drawers, etc., with loose nails, screws, keys, etc. Transporting batteries can possibly cause fires if the battery terminals inadvertently come in contact with conductive materials such as keys, coins, hand tools, and the like. The US Department of Transportation Hazardous Material Regulations (HMR) actually prohibit transporting batteries in commerce or on airplanes in carry-on baggage UNLESS they are properly protected from short circuits. So when transporting individual battery packs, make sure that the battery terminals are protected and well insulated from materials that could contact them and cause a short circuit.
- ▶ **WARNING:** Read all safety warnings and all instructions for the battery pack, charger and power tool. Failure to follow the warnings and instructions may result in electric shock, fire and/or serious injury.
- ▶ Do not attempt to charge the battery pack with any chargers other than the ones in this manual. The charger and battery pack are specifically designed to work together.
- ▶ These chargers are not intended for any uses other than charging DeWalt rechargeable batteries. Any other uses may result in risk of fire, electric shock or electrocution.
- ▶ Do not expose the charger to rain or snow.
- ▶ Pull by the plug rather than the cord when disconnecting the charger. This will reduce the risk of damage to the electric plug and cord.
- ▶ Make sure that the cord is located so that it will not be stepped on, tripped over or otherwise subjected to damaged or stress.
- ▶ Do not use an extension cord unless it is absolutely necessary. Use of improper extension cord could result in risk of fire, electric shock or electrocution.
- ▶ When operating a charger outdoors, always provide a dry location and use an extension cord suitable for outdoor use. Use of a cord suitable for outdoor use reduces the risk of electric shock.
- ▶ An extension cord must have adequate wire size (AWG or American Wire Gauge) for safety. The smaller the gauge number of the wire, the greater the capacity of the cable,

Equipment Safety

Precautions



that is, 16 gauge has more capacity than 18 gauge. An undersized cord will cause a drop in line voltage resulting in loss of power and overheating. When using more than one extension to make up the total length, be sure each individual extension contains at least the minimum wire size. The following table shows the correct size to use depending on cord length and nameplate ampere rating. If in doubt, use the next heavier gauge. The lower the gauge number, the heavier the cord.

VOLTS		TOTAL LENGTH OF CORD IN FEET (METERS)			
120 V		25 (7.6)	50 (15.2)	100 (30.5)	150 (45.7)
240 V		50 (15.2)	100 (30.5)	200 (61.0)	300 (91.4)
Ampere Rating		American Wire Gauge			
More Than	Not More Than				
0	6	18	16	16	14
6	10	18	16	14	12
10	12	16	16	14	12
12	16	14	12	Not Recommended	

- ▶ Do not place any object on top of the charger or place the charger on a soft surface that might block the ventilation slots and result in excessive internal heat. Place the charger in a position away from any heat source. The charger is ventilated through slots in the top and the bottom of the housing.
- ▶ Do not operate the charger with a damaged cord or plug.
- ▶ Do not operate the charger if it has received a sharp blow, been dropped or otherwise damaged in any way. Take it to an authorized service center.
- ▶ Do not disassemble the charger; take it to an authorized service center when service or repair is required. Incorrect reassembly may result in a risk of electric shock, electrocution or fire.
- ▶ Disconnect the charger from the outlet before attempting any cleaning. This will reduce the risk of electric shock. The battery should also be removed. Removing the battery pack will not reduce this risk.
- ▶ Never attempt to connect 2 chargers together.
- ▶ The charger is designed to operate on standard 120V household electrical power. Do not attempt to use it on any other voltage. This does not apply to the vehicular charger.
- ▶ **WARNING:** Shock hazard. Do not allow any liquid to get inside the charger. Electric shock may result.
- ▶ **WARNING:** Burn hazard. Do not submerge the battery pack in any liquid or allow any liquid to enter the battery pack. Never attempt to open the battery pack for any reason. If the plastic housing of the battery pack breaks or cracks, return to a service center for recycling.
- ▶ **CAUTION:** Burn hazard. To reduce the risk of injury, charge only DeWalt rechargeable battery packs. Other types of batteries may overheat and burst resulting in personal



injury and property damage.

- ▶ **CAUTION:** When battery pack is not in use, keep it away from other metal objects like paper clips, coins, keys, nails, screws, or other small metal objects that can make a connection to one terminal to another. Shorting the battery terminals together may cause burns or fire.
- ▶ **NOTICE:** Under certain conditions, with the charger plugged into the power supply, the charger can be shorted by foreign material. Foreign materials of a conduction nature, such as, but not limited to, grinding dust, metal chips, steel wool, aluminum foil or any buildup of metallic particles should be kept away from the charger cavities. Always unplug the charger from the power supply when not actively charging a battery, or when not in use. Always remove the battery pack from the charger when the charge is complete and if the charger is unplugged from 120V AC main power. Unplug the charger before attempting to clean.
- ▶ Do not charge the battery pack in an air temperature below +40°F (+4.5°C), or above +104°F (+40°C). Failure to follow this recommendation may cause serious damage to the battery pack.

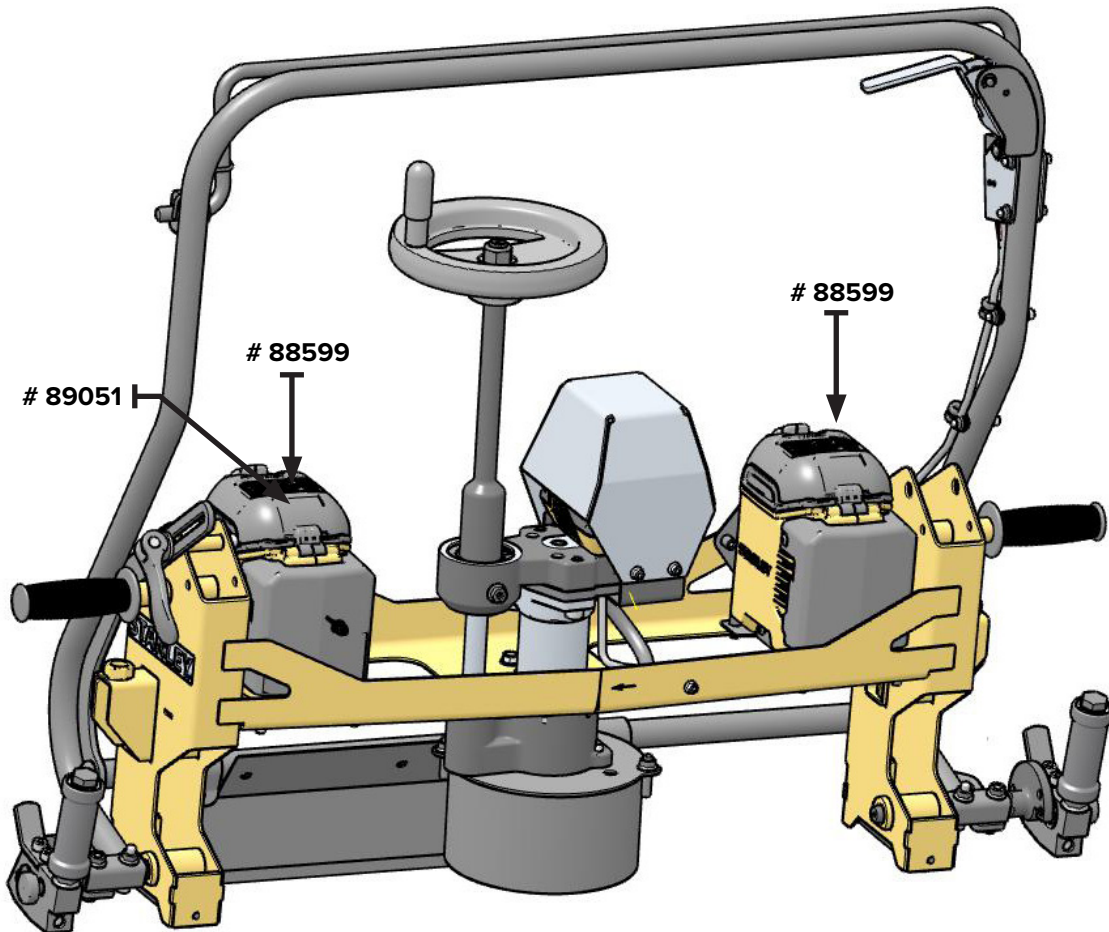
Decals

Decal Placement



GENERAL INFORMATION

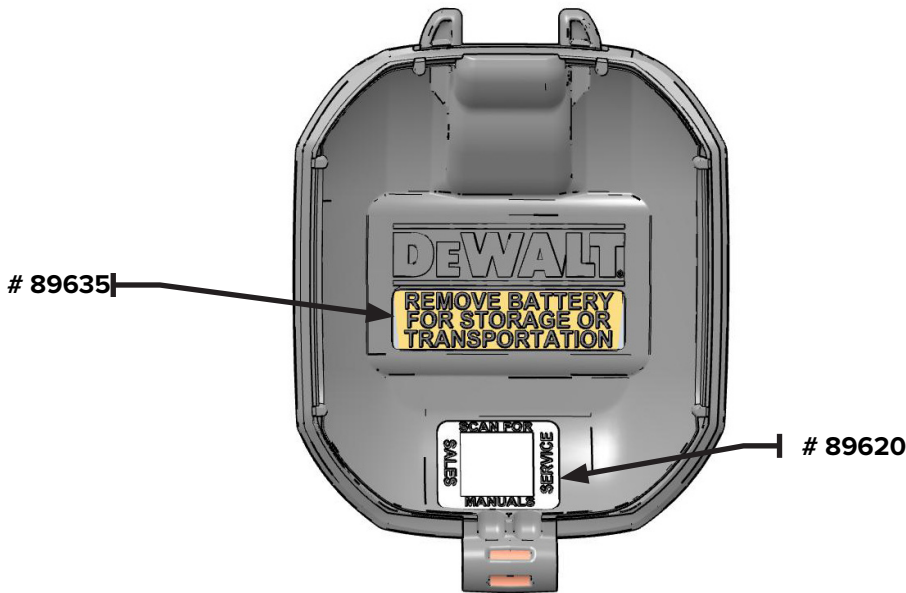
The diagrams on this page show the location of the decals used on your tool. The decals are identified by their part numbers, with reductions of the actual decals located on the following page. Use this information to order replacements for lost or damaged decals. Be sure to read all decals before operating the tool. They contain information you need to know for both safety and product longevity.



IMPORTANT

Keep all safety decals clean and legible. Replace all missing, illegible, or damaged safety decals. When replacing parts with safety decals attached, the safety decals must also be replaced. Safety decals are available from your local dealer or STANLEY.

REPLACING SAFETY DECALS: Clean the area of application with nonflammable solvent, then wash the same area with soap and water. Allow the surface to fully dry. Remove the backing from the safety decal, exposing the adhesive surface. Apply the safety decal to the position shown in the diagram above and smooth out any bubbles.



	3810 SE Naef Rd. Milwaukie, Oregon 97267 U.S.A. 853-723-1843 www.stanleyinfrastructure.com/		
	Model No. PG60	Tool Speed: 8000 RPM MAX Battery: 60V = MAX	
<p>WARNING TO REDUCE THE RISK OF INJURY, USER MUST READ INSTRUCTION MANUAL. USE ONLY WITH DEWALT BATTERIES. ALWAYS USE PROPER EYE AND RESPIRATORY PROTECTION.</p>			

REMOVE BATTERY FOR STORAGE OR TRANSPORTATION

WARNING!

89635 - REMOVE BATTERY FOR STORAGE OR TRANSPORTATION DECAL

WARNING!

88599 - READ MANUAL / USE PROPER BATTERY / WEAR PPE

Importé par: DUBUIS SAS
 17-19, RUE JULES BERTHONNEAU
 BP 3406 - 41034 BLOIS - CEDEX France

89051 - CE ADDRESS DECAL

SCAN FOR

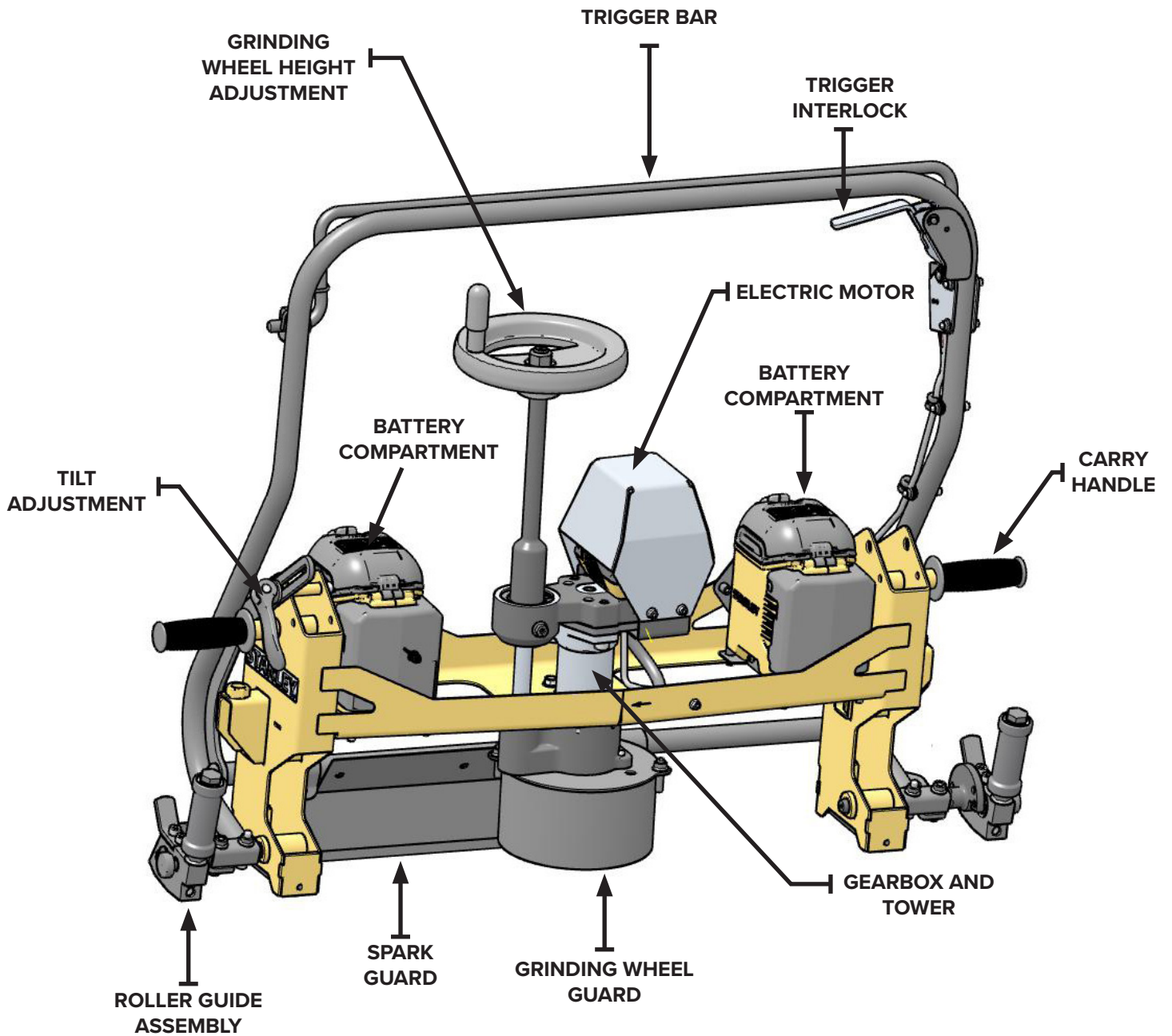
SALES SERVICE MANUALS

89620 - QR CODE

NOTE

Contact your local dealer for logo decals.

Nomenclature



Installation



GENERAL INFORMATION

This grinder is battery powered. With two DEWALT FLEXVOLT batteries, the grinder can be used easily in places where hydraulic tools may be difficult to operate.

Read all safety warnings, decals, and operating instructions before operating the tool. If there is any portion of this manual that you do not understand, contact your dealer.



WARNING!

READ MANUAL PRIOR TO INSTALLATION

Improper installation, operation, or maintenance of this equipment could result in serious injury or death. Operators and maintenance personnel should read this manual, as well as all manuals related to this equipment thoroughly before beginning installation, operation, or maintenance.

FOLLOW ALL SAFETY INSTRUCTIONS IN THIS MANUAL.

DISCONNECT BATTERIES

Do not install, change tool accessories, clean, or perform maintenance on the tool while the batteries are connected to the tool. Remove the batteries from the tool before performing maintenance.

ACCIDENTAL ENGAGEMENT OF THE TOOL CAN CAUSE SERIOUS INJURY.

CHARGE BATTERIES

Charge the batteries in temperatures between 40° - 105° F (4° - 41° C). Charging or storing batteries in temperatures above or below this range may result in permanent damage to the batteries or charger.

1. Place the charger on a firm surface and ensure the vents are not covered.



WARNING!

DO NOT EXPOSE THE CHARGER TO RAIN OR SNOW

Do not immerse the charger in water or any other liquid. Place the charger in a clean, dry space during use.

IMPROPER USE OF THE CHARGER COULD RESULT IN RISK OF FIRE, ELECTRIC SHOCK OR ELECTROCUTION.

2. Plug the charger into a standard 120V household electrical outlet.
3. Insert the battery pack into the charger. Ensure the battery pack is fully seated in the charger. Only use battery packs and chargers that have been recommended by STANLEY.

Installation



NOTE

The red light on the charger will blink, indicating that the charging process has started.

- When the red light remains on continuously, the battery pack is full.
- Push the battery release button on the battery pack to remove the battery from the charger.

NOTE

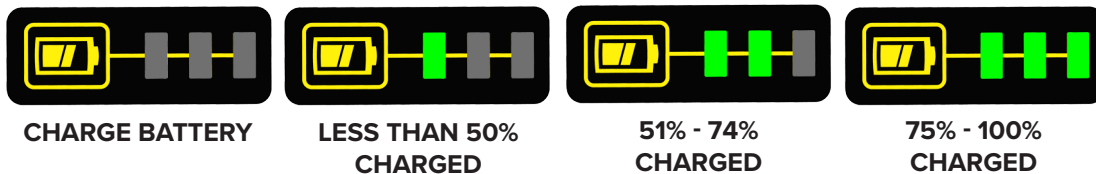
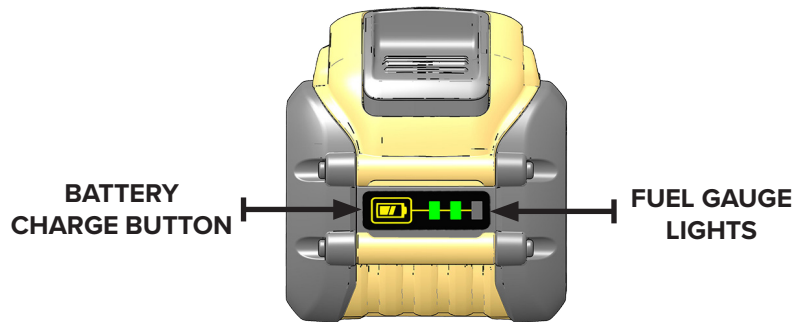
The charger and battery pack may become warm to the touch during charging. This normal and does not indicate a problem.

- Unplug the charger when battery charging is complete.
- Store charger as described in “Storage” section of this manual.

Checking Battery Charge

You can check the charge level on batteries using the fuel gauge.

- Press and hold the battery charge button on the front of the battery.
- Look at the fuel gauge lights on the front of the battery to see the battery life, as shown below.



Operation



NOISE EMISSION DATA

STANLEY - CORDLESS FROG GRINDER PG60		
DECLARED DAUL-NUMBER NOISE EMISSION VALUES IN ACCORDANCE WITH ISO 4871		
	NO-LOAD	LOAD
A-weighted sound power level, L_{WA} (reference 1pW), in decibels	100	101
Uncertainty, K_{WA} , in decibels	3	3
A-weighted emission sound pressure level, L_{pA} (reference 20 μ Pa), in decibels	83	87
C-weighted peak emission sound pressure level, $L_{pC, peak}$ (reference 20 μ Pa), in decibels	<130	<130
Uncertainty, K_{pA} , in decibels	3	3
<p>Values determined according to noise test code given in standards NF/BS EN 62841-1 and NF/BS EN62841-2-3 (Appendix I), and the basic standards NF EN ISO 3744 and NF EN ISO 11201.</p> <p>Configuration: maximal grinding wheel speed (measured value).</p> <p>NOTE - The sum of a measured noise emission value and its associated uncertainty represents an upper boundary of the range of values which is likely to occur in measurements.</p>		

VIBRATIONS EMISSION DATA

DECLARED DUAL - NUMBER NOISE EMISSION VALUES IN ACCORDING WITH ISO 4871			
VIBRATION EMISSION VALUE DECLARED IN ACCORDANCE WITH EN 12096			
	Work Cycle	Measured vibration level, a	Uncertainty, K
Hand transmitted vibrations	No-load	93	-
	Load	3	1,50 m/s ²
<p>Data determined according to the vibration test code standards. NF/BS EN 62841-1: Appendix I</p> <p>Configuration: maximal grinding wheel speed (measured value: 5200rpm).</p>			

Operation



GENERAL INFORMATION

The grinder is battery powered and will provide safe and dependable service if operated in accordance with the instructions given in this manual.

Read all safety warnings, decals, and operating instructions before operating the tool. If there is any portion of this manual that you do not understand, contact your dealer.

INTENDED USE

This tool has been designed and built to grind railroad rail. Use in any other way is considered contrary to the intended use. Compliance with and strict adherence to operation, service, and repair conditions as specified by the manufacturer, are also essential elements of the intended use.



WARNING!

DISCONNECT BATTERIES

Do not install, change tool accessories, clean, or perform maintenance on the tool while the batteries are connected to the tool. Remove the batteries from the tool before performing maintenance.

ACCIDENTAL ENGAGEMENT OF THE TOOL CAN CAUSE SERIOUS INJURY.



CAUTION!

HEAVY OBJECT HAZARD

Always use two people to lift and carry the tool. Failure to comply could result in minor or moderate injury.

1. Make sure the batteries are not connected to the tool.
2. Grab the carrying handles.
3. Lift the tool and move it to the job site.

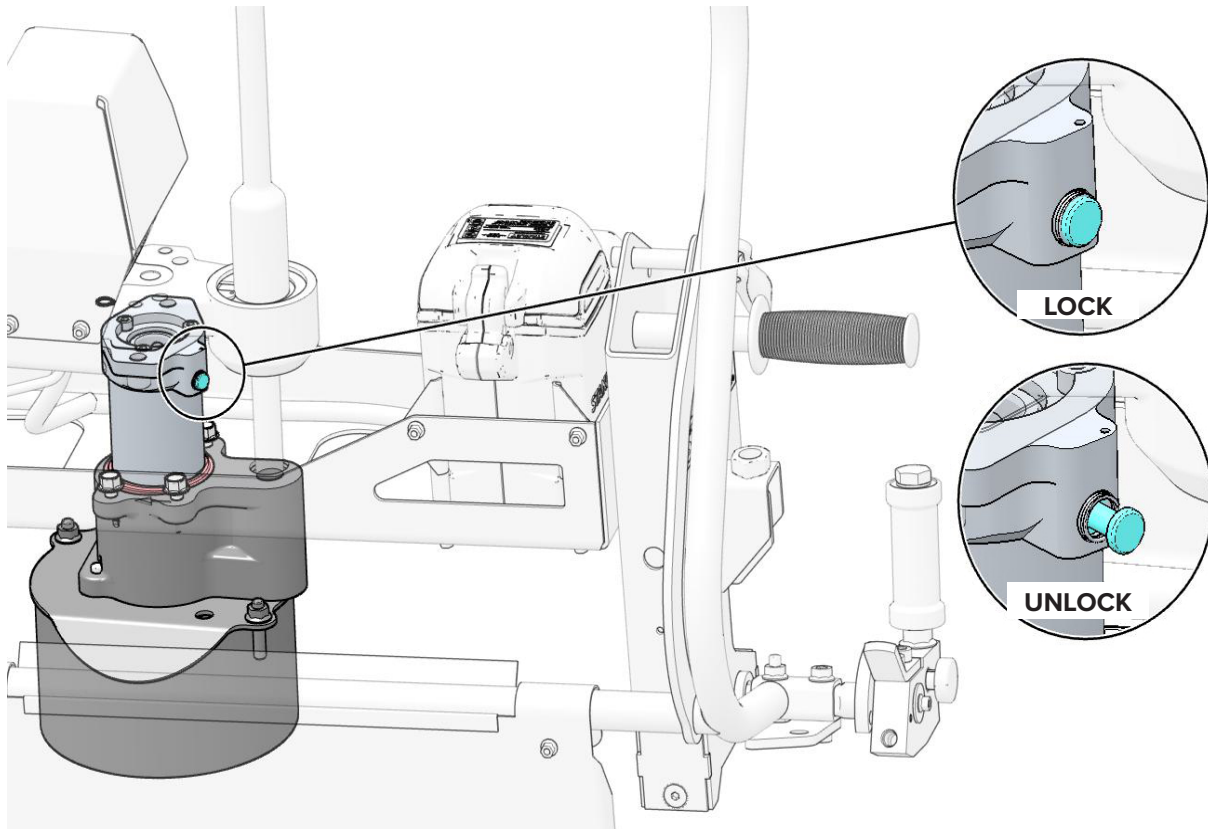
PREPARATION PROCEDURE

Read and become familiar with the sections in this manual on safety precautions, tool stickers and tags, and preparation procedures before using this product.

1. Make sure all tool accessories are correctly installed. Failure to install tool accessories properly can result in damage to the tool or personal injury.
2. The tool should be clean, with all fasteners tight.
3. Check that the trigger interlock and trigger bar both operates smoothly and is free to travel between the “ON” and “OFF” positions.
4. Inspect the wheel guard weldment for cracks and other structural damage.

SHAFT LOCK OPERATION

When installing or removing the grinding wheel, it will be necessary to lock the shaft from turning. Lock the shaft with the shaft lock button as shown below. It may be necessary to rotate the shaft until the shaft lock is able to engage.



INSTALLING THE GRINDING WHEEL

NOTE

Use 6 inch diameter grinding wheel, up to 3 inch thick (Type 6 for USA) with a 5/8-11 threaded arbor hole. Only use grinding wheels which comply with ANSI B7.1, B7.5/ISO 525, 603.

1. Make sure the batteries are removed from the tool.
2. Push in the shaft lock button to keep shaft from turning.
3. Screw the grinding wheel onto the shaft until it comes in contact with the drive flange.

Operation



REMOVING THE GRINDING WHEEL

1. Remove batteries from tool.
2. Push in the shaft lock button to keep shaft from turning.
3. Use STANLEY stone wrench #88833 to remove the grinding wheel. Unscrew by gripping and turning the wrench.
4. Unscrew the grinding wheel from the shaft.

INSERT THE BATTERIES

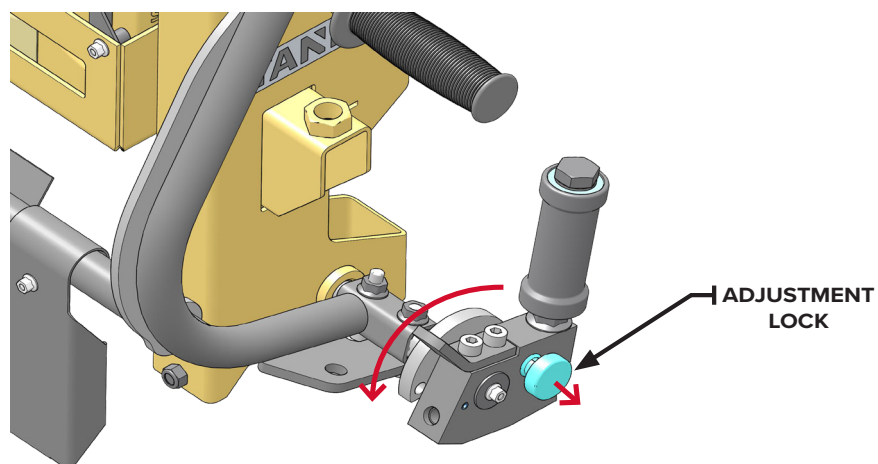
1. Open the battery compartments.
2. Make sure that the batteries are fully charged and have been stored in temperatures above 40°F (4°C) and below 105°F (41°C).
3. Connect the batteries to the battery receptacles inside the battery compartments. Ensure the batteries lock in place.
4. Close the battery compartments.

NOTE

To remove the batteries, open the battery compartments and press the battery locks. This will release the batteries from the receptacles.

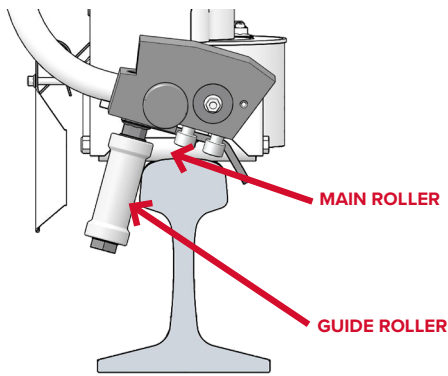
ROLLER GUIDE ADJUSTMENTS FOR GRINDING OPERATIONS

The roller guides can be rotated into grinding or storage positions as needed. First pull out the adjustment lock knob and then rotate the rollers into the desired position. Reset the adjustment lock to secure into place. Note there are three possible locations to secure the rollers, but only two of the positions are used on profile grinder variants (see more detail below). The third position is used on frog grinders.

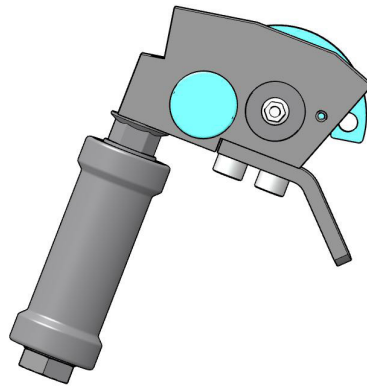


Profile Grinding

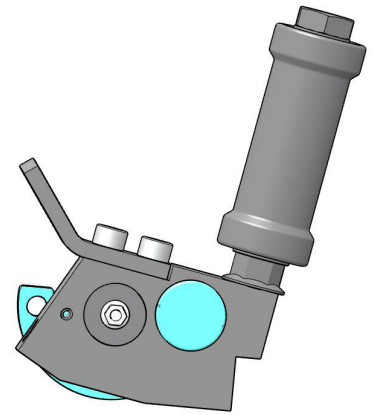
For profile grinding of rail, rotate the guide roller pivot block into the grinding position. Place the grinder on top of the rail with the main rollers resting on top of the rail to be ground and the guide roller against the side of the head. Grinding is accomplished by moving the grinder back and forth in line with the rail. Keep the guide roller engaged with the rail profile at all times when grinding.



TYPICAL RAIL



GRINDING POSITION



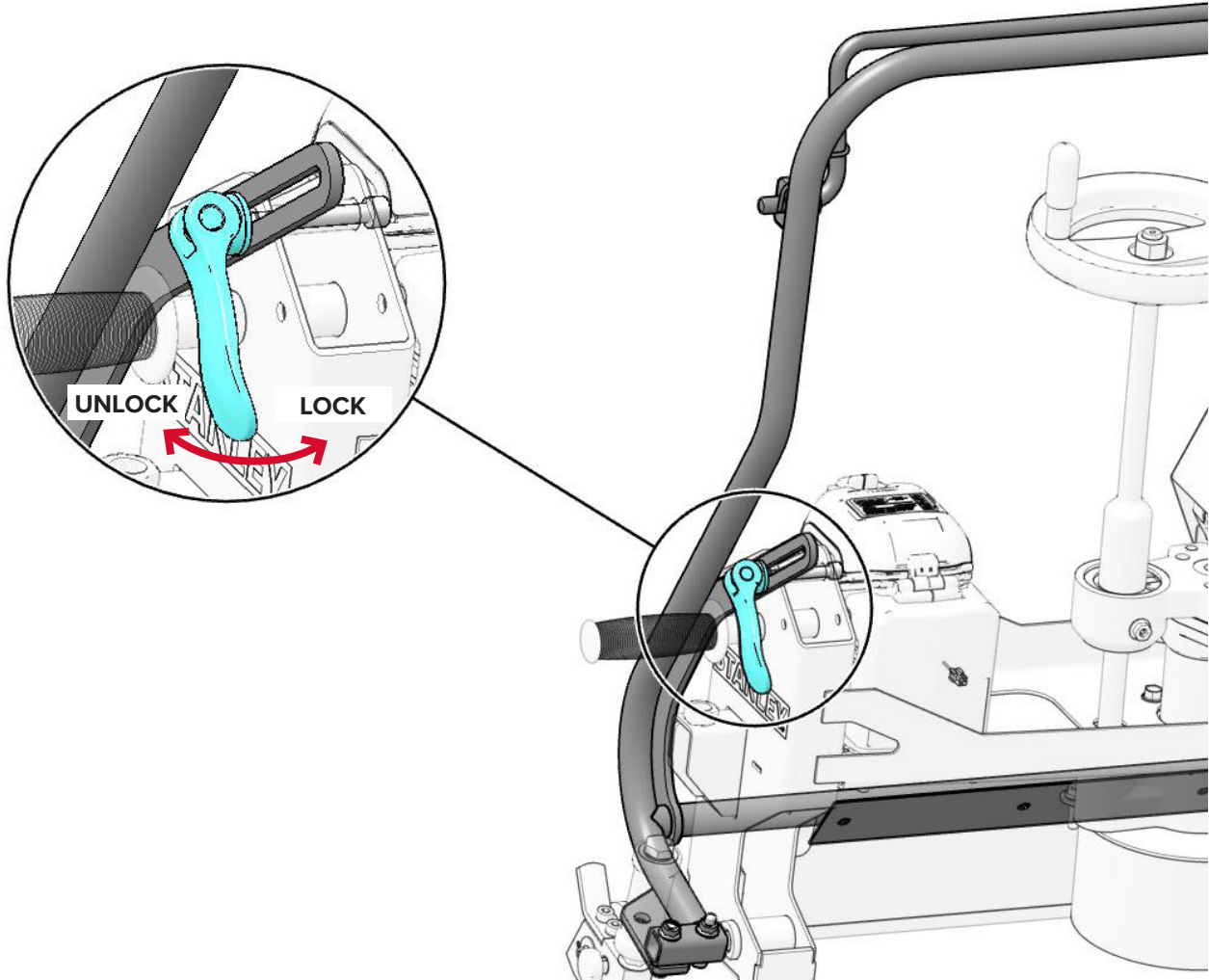
TRANSPORTATION POSITION

Operation



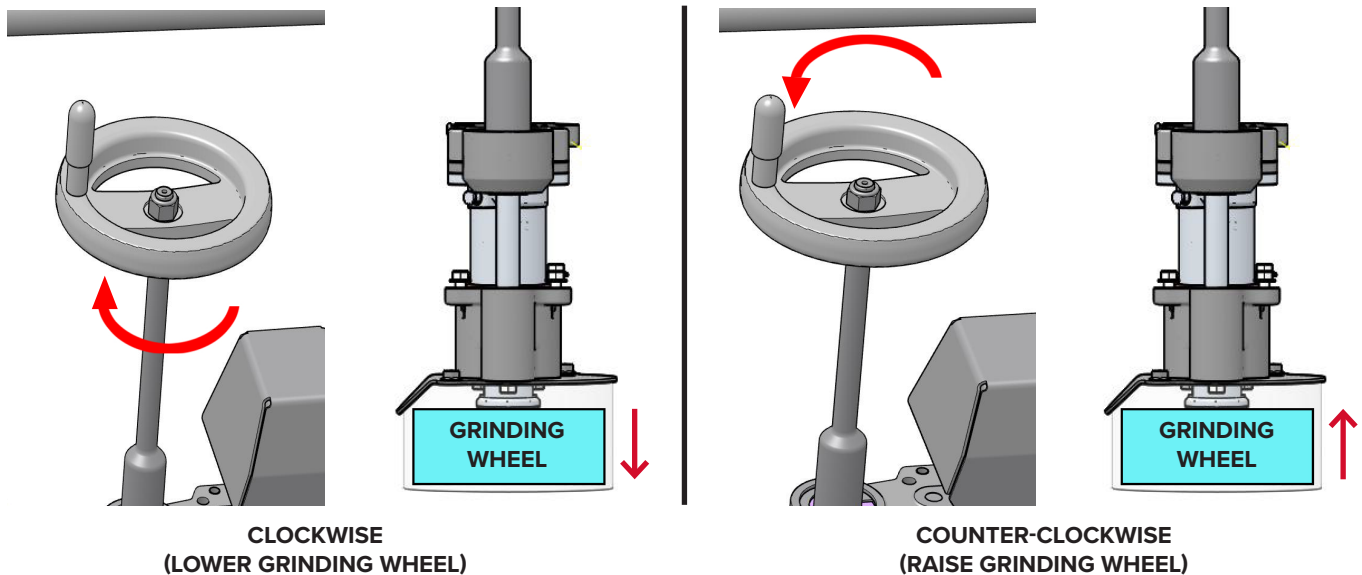
TILT FEATURE

The grinder can be tilted for grinding more vertical surfaces. Unlock by pulling the over center lever out. Rotate grinder to desired position. Lock into place by pushing over center lever in. Rotating the lever will not change the clamping force.



GRINDING WHEEL HEIGHT ADJUSTMENT

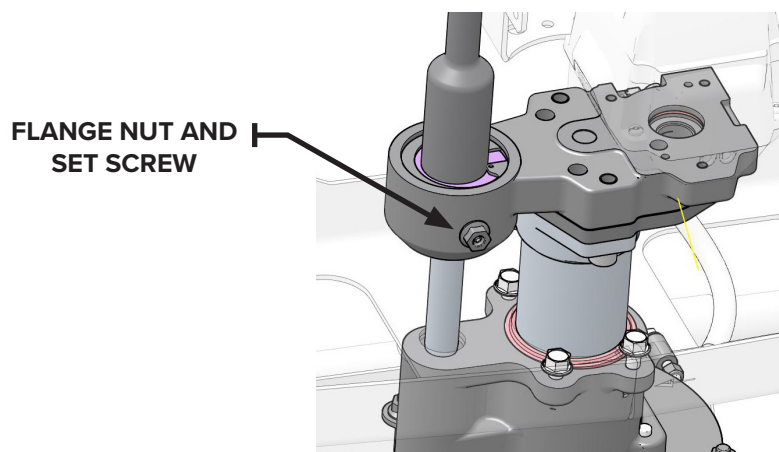
Adjust the height of the grinding wheel by turning the hand wheel on the grinder. While standing in the proper operating position, either turn the hand wheel clockwise to lower the grinding wheel or counter-clockwise to raise the grinding wheel.



HAND WHEEL TENSION ADJUSTMENT

The rotational tension on the hand wheel can be adjusted to stop the hand wheel from rotating during operation. To adjust the tension:

1. Locate the flange nut and set screw at base of hand wheel.
2. Loosen the flange nut (rotate counter-clockwise).
3. Rotate the set screw clockwise with a hex key until the desired tension is achieved.
4. Keep the set screw from turning with hex key and tighten the flange nut (rotate clockwise).



Operation



OPERATING PROCEDURE

WARNING!

ENTANGLEMENT HAZARD

Keep all body parts, hair, and loose clothing away from rotating drives. Entanglement, choking, scalping and laceration can occur if loose clothing, personal jewelry, neck wear, hair, or gloves are not kept away from the rotating tool and it's accessories.

KEEP AWAY FROM ROTATING DRIVES

1. Observe all safety precautions.
2. Always start the grinder with the grinding wheel away from the work surface by turning the handwheel counter clockwise to raise the grinding wheel.
3. Squeeze the trigger interlock to unlock the trigger bar.
4. Squeeze the trigger bar momentarily. If the grinder does not operate, the batteries might be dead. Verify batteries are fully charged before continuing.
5. Start the grinder and move the grinding wheel to the work surface by turning the handwheel clockwise.
6. Grind a small amount of material at a time adjusting the grinding wheel as necessary by turning the handwheel.

NOTE

If the grinder is not loaded against a work surface when the trigger is released, the wheel will take 5-10 seconds to come to a complete stop. Avoid unintentional contact of the grinding wheel during the coast down period.

RECHARGE THE BATTERIES

Recharge the batteries if the fuel gauge displays one remaining light. The batteries must be charged in temperatures between 40° - 105°F (4° - 41°C). Charging or storing batteries in temperatures above or below this range may result in permanent damage to the batteries or charger.

1. Release the trigger bar to stop the grinding wheel.
2. Open the battery compartments, press the battery locks to release the batteries from the receptacles, and pull out the batteries.
3. Charge the batteries. See "Charge Batteries" section of this manual.



OPERATING TIPS

- ▶ Keep the batteries charged so that all the fuel gauge lights are on. Keeping the batteries charged will help prolong grinding wheel life and will extend the service life of the batteries.
- ▶ If the grinder fails to grind material, check the battery fuel gauges and ensure they are fully charged. Also carefully check the condition of the grinding wheel and make sure that it has not been damaged.
- ▶ Check the condition of the grinding wheel often and change it when necessary. If the grinding wheel is near the end of its life, it will take longer to grind down material. You may also notice a change in the sound when grinding. This is an indication that the grinding wheel may be at the end of its life.

STORAGE



WARNING!

DISCONNECT BATTERIES

Do not store or transport the tool while the batteries are connected to the tool. Remove the batteries from the tool.

ACCIDENTAL ENGAGEMENT OF THE TOOL CAN CAUSE SERIOUS INJURY.

FIRE HAZARD

Do not store or carry the battery packs so that metal objects can contact exposed battery terminals. For example, do not place the battery packs in aprons, pockets, tool boxes, product kit boxes, drawers, etc., with loose nails, screws, keys, etc.

- ▶ Remove the batteries and store the tool and batteries in a clean, dry space, away from direct sunlight and excess heat or cold. The batteries must be stored in temperatures between 40° - 105°F (4° - 41°C). Storing batteries in temperatures above or below this range may result in permanent damage to the batteries or charger.
- ▶ Store batteries and charger away from foreign materials of a conductive nature such as, but not limited to, dust, metal chips, steel wool, aluminum foil, or any buildup of metallic particles.
- ▶ Do not freeze or immerse the batteries or charger in water or any liquid.
- ▶ Clean the outside surfaces of the tool with a damp cloth. Remove all metal dust and debris.
- ▶ Store the tool in a clean and dry space, away from direct sunlight and excess heat or cold.
- ▶ Store the tool vertically.

Operation



REMOVAL FROM STORAGE

- ▶ Inspect the tool for damage. If damage is found, have the tool repaired by an authorized STANLEY service center before use.
- ▶ Fully charge the tool batteries.
- ▶ Inspect all the tool safety labels. Replace if they are damaged or not legible. Contact your STANLEY dealer for replacements.

TRANSPORTING

WARNING!

DISCONNECT BATTERIES

Do not store or transport the tool while the batteries are connected to the tool. Remove the batteries from the tool.

ACCIDENTAL ENGAGEMENT OF THE TOOL CAN CAUSE SERIOUS INJURY.

FIRE HAZARD

Do not store or carry the battery packs so that metal objects can contact exposed battery terminals. For example, do not place the battery packs in aprons, pockets, tool boxes, product kit boxes, drawers, etc., with loose nails, screws, keys, etc.

- ▶ Follow all local government regulations that may apply along with recommended tie down points and any equipment safety precautions at the front of this manual when transporting your tool.
- ▶ Ensure the batteries is removed before transport.
- ▶ Store the batteries and charger in temperatures between 40° - 105°F (4° - 41°C). Storage temperatures above or below this range may result in permanent damage to the batteries or charger.
- ▶ Always use the carrying handles when moving the tool.
- ▶ Lift only as high as necessary to load. NEVER lift or transport over people.

CAUTION!

HEAVY OBJECT HAZARD

Always use two people to lift and carry the tool. Failure to comply could result in minor or moderate injury.

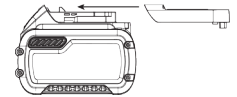
- ▶ Secure the tool to the transport vehicle so it will not move during transport. An unsecured tool could cause personal injury or damage to the tool.

Shipping the DEWALT FLEXVOLT™ Battery

The DEWALT FLEXVOLT™ battery has two modes: Use and Shipping.

Use Mode: When the FLEXVOLT™ battery stands alone or is in a DEWALT 20V max product, it will operate as a 20V Max battery. When the FLEXVOLT™ battery is in a 60V Max or a 120V Max (two 60V Max batteries) product, it will operate as a 60V Max battery.

Shipping Mode: When the cap is attached to the FLEXVOLT™ battery, the battery is in Shipping Mode. Strings of cells are electrically disconnected within the pack resulting in three batteries with a lower Watt hour (Wh) rating as compared to one battery with a higher Watt hour rating. This increased quantity of three batteries with the lower Watt hour rating can exempt the pack from certain shipping regulations that are imposed upon the higher Watt hour batteries.



The battery label indicates two Watt Hour Ratings (see example). Depending on how the battery is shipped, the appropriate Wh rating must be used to determine the applicable shipping requirements. If utilizing the shipping cap, the pack will be considered 3 batteries at the Wh indicated for “Shipping”. If shipping without the cap or in a tool, the pack will be considered one battery at the Watt hour rating indicated next to “Use”

example of Use and Shipping label marking

USE: 120 Wh Shipping: 3 x 40 Wh

Transport Wh rating indicated 3 x 40 wh, meaning 3 batteries of 40 Watt hours each. The Use Wh rating indicates 120 Watt hour (1 battery implied).

Maintenance



GENERAL INFORMATION

Regular maintenance is the key to long equipment life and safe operation. Maintenance requirements have been reduced to an absolute minimum. However it is very important that these maintenance functions be performed as described below.

WARNING!

DISCONNECT BATTERIES

Do not install, change tool accessories, clean, or perform maintenance on the tool while the batteries are connected to the tool. Remove the batteries from the tool before performing maintenance.

ACCIDENTAL ENGAGEMENT OF THE TOOL CAN CAUSE SERIOUS INJURY.

PROCEDURE	EVERY 8 HOURS (DAILY)
Inspect the tool for damage. If damage is found, have the tool repaired by an authorized STANLEY service center before use. Do not operate a damaged, improperly adjusted, modified, or incompletely assembled tool.	✓
Inspect all the tool safety labels. Replace if they are damaged or not legible. Contact your STANLEY dealer for replacements.	✓
Inspect the spindle and drive flange for signs of wear or damage. Run-out should not exceed .004 in./1 mm TIR on threads or .002 in./0.05 mm TIR on arbor diameters and faces	✓
Remove the battery and clean the tool using a damp cloth. Remove metal dust and debris.	✓
Check speed of the grinder. If speed is too slow, charge battery. If speed is too fast, have the tool repaired by an authorized STANLEY service center before use. Do not operate a damaged, improperly adjusted, modified, or incompletely assembled tool.	✓
PROCEDURE	EVERY 500 HOURS (6 MONTHS)
Grease threads and blow out the vents with air.	✓
PROCEDURE	EVERY 1 YEAR
Have the tool serviced by an authorized STANLEY service center..	✓

Troubleshooting



PROBLEM	POSSIBLE CAUSE	POSSIBLE SOLUTION
BATTERY PACK IS NOT CHARGING PROPERLY	No power to charger	Check operation of the power receptacle by plugging in a lamp or other appliance.
		Check to see if the receptacle is connected to a light switch which turns power off when you turn out the lights.
	Temperature is outside the operating range of the charger	Move the charger and battery pack to a location where the surrounding air temperature is approximately 60°F - 75°F (18° - 27°C).
	Other issue	Take the tool, battery, and charger to an authorized DEWALT service center.
TOOL WILL NOT GRIND SUFFICIENTLY OR DOES NOT PERFORM AS WELL AS IT ONCE DID	Low battery charge	Stop the grinder. Remove the battery and charge it, as shown in “Charge Battery” section of this manual.
	Grinding wheel is worn or damaged	Stop the grinder. Inspect the grinding wheel for damage or other signs of wear. Replace if necessary.
	Tool Failure	Take the tool, battery, and charger to an authorized DEWALT service center.
	Tool or batteries are too hot	Remove batteries from tool and allow both to cool down before continuing operation.

Tool Disposal



Electrical Components

Contact your local municipal recycling authorities for an approved electronics recycling center.

Tool Body

Disassemble the tool and dispose of all non-metal parts. Recycle the metal components. Contact your local municipal recycling authorities for recycling instructions.

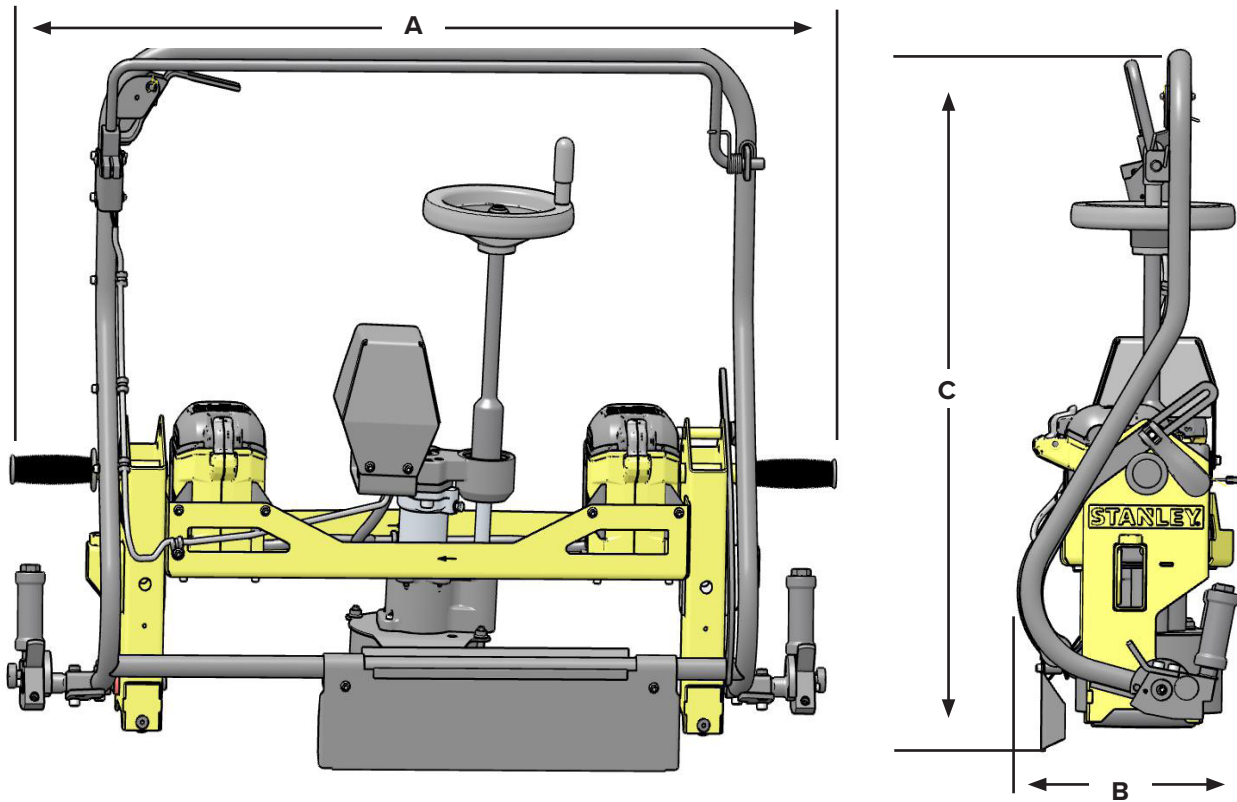
Batteries

The RBRC® (Rechargeable Battery Recycling Corporation) seal on the nickel cadmium, nickel metal hydride or lithium-ion batteries (or battery packs) indicates that the costs to recycle these batteries (or battery packs) at the end of their useful life have already been paid by DEWALT. In some areas, it is illegal to place spent nickel cadmium, nickel metal hydride or lithium-ion batteries in the trash or municipal solid waste stream and the Call 2 Recycle® program provides an environmentally conscious alternative.



Call 2 Recycle, inc., in cooperation with DEWALT and other battery users, has established the program in the United States and Canada to facilitate the collection of spent nickel cadmium, nickel metal hydride or lithium-ion batteries to an authorized DEWALT service center or to your local retailer for recycling. You may also contact your local recycling center for information on where to drop off the spent battery. RBRC® is a registered trademark of Call 2 Recycle, Inc. RBRC™ is a registered trademark of the Rechargeable Battery Recycling Corporation.

Specifications



SPECIFICATIONS AND DESIGN ARE SUBJECT TO CHANGE WITHOUT NOTICE AND WITHOUT LIABILITY THEREFOR.

PG60 CORDLESS GRINDER

DESCRIPTION	VALUE
A. Overall Length	44 inches (111.76 cm)
B. Overall Width	10.5 inches (26.7 cm)
C. Overall Height	32.5 inches (82.5 cm)
Weight	91 lb (41.28 kg)
Wheel Capacity	6 in. dia. x 3 in. thk x 5/8-11 threaded arbor (Type 6) U.S.A.
Battery Type	60V DEWALT FLEXVOLT
RPM	4900
Motor	Brushless

Accessories



BATTERIES, CHARGERS & OTHER ACCESSORIES

BATTERIES AND CHARGERS	
PART NUMBER	DESCRIPTION
DCB612	12 AH DEWALT FLEXVOLT Battery
DCB1112	12 Amp Fast Charger
DCB104	4 Port Battery Charger
28597	6 x 3 x 5/8-11 Thread Cup Stone
88833	Stone Wrench
89518*	Profile Grinder-to-Frog Grinder Conversion Kit (Includes: new roller guide blocks with additional guide rollers, extension arm attachment, and 4" grinding wheel gaurd)

OTHER ACCESSORIES	
DESCRIPTION OR PART NUMBER	VALUE
6" Stone Wrench	2.6 lb (1.18 kg)
6" Stone Guard	2.8 lb (1.27 kg)
Frog Arm	15 lb (7 kg)
DCB612	6.8 lb (3.08 kg)
DCB104	8.6 lb (3.9 kg)

Warranty



In order to provide you with the most UP-TO-DATE Warranty information, STANLEY Warranty information can be found at www.stanleyinfrastructure.com.

Sales, Service, & Support Resources



For services, support resources, or to contact a sales representative please visit <https://industrialtoolsandattachments.com/handheld-tools-and-support>.



Declaration of Conformity



DECLARATION OF CONFORMITY
 ÜBEREINSTIMMUNGS-ERKLÄRUNG
 DECLARATION DE CONFORMITE CEE
 DECLARACION DE CONFORMIDAD
 DICHIARAZIONE DI CONFORMITA



I, the undersigned:
 Ich, der Unterzeichnende:
 Je soussigné:
 El abajo firmante:
 Io sottoscritto:

Vervier, Patrick

Surname and First names/Familiennamen und Vornamen/Nom et prénom/Nombre y apellido/Cognome e nome

hereby declare that the equipment specified hereunder:
 bestätige hiermit, daß erklaren Produkt genannten Werk oder Gerät:
 déclare que l'équipement visé ci-dessous:
 Por la presente declaro que el equipo se especifica a continuación:
 Dichiaro che le apparecchiature specificate di seguito:

- Category: **Profile Grinder, Frog Grinder, Cordless**
 Kategorie:
 Catégorie:
 Categoría:
 Categoria:
- Make/Marke/Marque/Marca/Marca: **STANLEY**
- Type/Typ/Type/Tipo/Tipo: **PG60, FG60**
- Serial number of equipment:
 Seriennummer des Geräts:
 Numéro de série de l'équipement:
 Numero de serie del equipo:
 Matricola dell'attrezzatura: **All**

Has been manufactured in conformity with
 Wurde hergestellt in Übereinstimmung mit
 Est fabriqué conformément
 Ha sido fabricado de acuerdo con
 E' stata costruita in conformità con

Directive/Standards Richlinie/Standards Directives/Normes Directriz/Los Normas Direttiva/Norme	No. Nr Numéro No n.	Approved body Prüfung durch Organisme agréé Aprobado Collaudato
Machinery Directive	2006/42/EC:2006	
EN ISO	4871 – 2010/2009	Cetim
EN ISO	3744 – 2011/2012	Cetim
EN ISO	11201 – 2010/2009	Cetim
EN	62841-1 – 2015/2016	Cetim
EN ISO	5349-1 – 2002	Cetim
EN ISO	5349-2 – 2001	Cetim
EN	12096 – 1997	Cetim
EMC Directive	2014/30/EU	
NF EN IEC	55014-1 – 2021	Cetim
NF EN IEC	55014-2 – 2021	Cetim

- Special Provisions: **None**
 Spezielle Bestimmungen:
 Dispositions particulières:
 Provisiones especiales:
 Disposizioni speciali:
- Representative in the Union: **Patrick Vervier, STANLEY Dubuis 17-19, rue Jules Berthonneau- CS 73406 41034 Blois CEDEX, France.**
 Vertreter in der Union/Représentant dans l'union/Representante en la Union/Rappresentante presso l'Unione

Done at/Ort/Fait à/Dado en/Fatto a Blois France Date/Datum/le/Fecha/Data March 24, 2025

Signature/Unterschrift/Signature/Firma/Firma

Position/Position/Fonction/Cargo/Posizione Engineering Manager

DECLARATION OF CONFORMITY



I, the undersigned:

Vervier, Patrick

Surname and First names

hereby declare that the equipment specified hereunder:

- 1. Category: **Profile Grinder, Frog Grinder, Cordless**
- 2. Make: **STANLEY**
- 3. Type: **PG60, FG60**
- 4. Serial number of equipment: **All**

Has been manufactured in conformity with UK Regulations:
 The supply of Machinery (Safety) Regulations 2008, SI 2008/1597 (as amended)
 Electromagnetic Compatibility Regulations, 2016, SI 2016/1091 (as amended)

Directive/Standards	No.	Approved body
Machinery Regulations 2008	SI 2008/1597	
EN ISO	4871-2010/2009	Cetim
EN ISO	3744-2011/2012	Cetim
EN ISO	11201-2010/2009	Cetim
EN ISO	62841-1-2015/2016	Cetim
EN ISO	62841-3-13-2017	Cetim
EN ISO	5349-1 – 2002	Cetim
EN ISO	5349-2 – 2001	Cetim
EN	12096 – 1997	Cetim
Electromagnetic Compatibility Regulations 2016	SI 2016/1091	
NF EN IEC	55014-1 – 2021	Cetim
NF EN IEC	55014-2 – 2021	Cetim

5. Special Provisions: **None**

6. Representative in the Union: **Patrick Vervier, STANLEY Dubuis 17-19, rue Jules Berthonneau- CS 73406 41034 Blois CEDEX, France..**

Done at a Blois France

Date October 16, 2025

Signature

Position Engineering Manager

STANLEY

INDUSTRIAL TOOLS & ATTACHMENTS

 **PALADIN** **STANLEY** **LABOUNTY**  **PENGO**

© STANLEY 2024

Milwaukie, Oregon 97267 USA